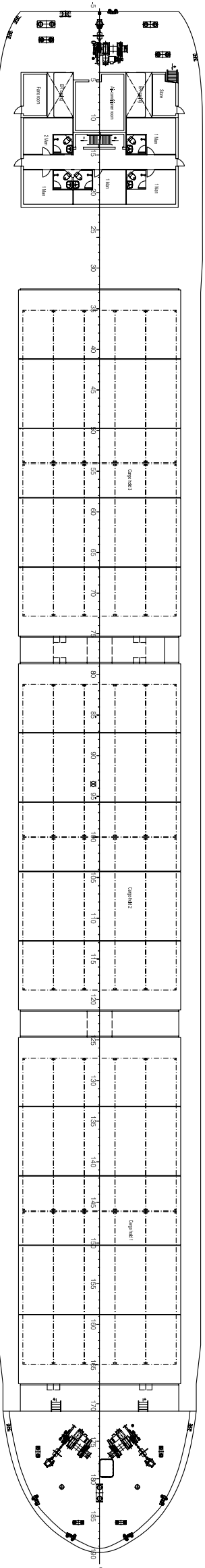
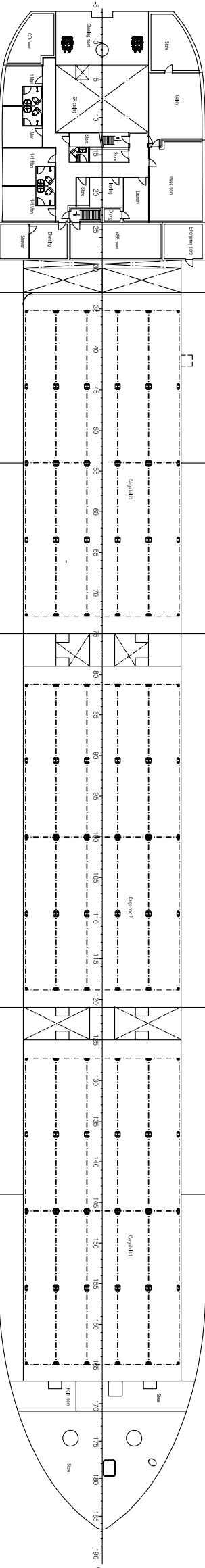
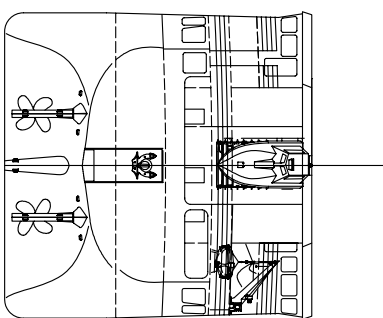


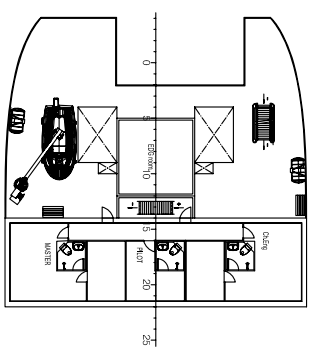
Side View



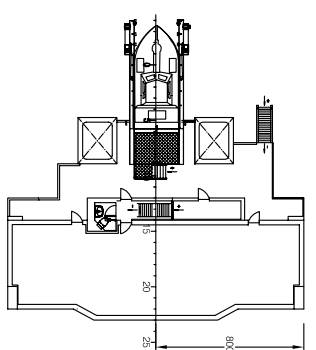
Upper deck



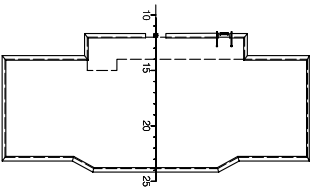
Main deck



Boat deck



Bridge deck



Bridge deck roof

PRINCIPAL PARTICULARS

LENGTH O.A.	123.20 m
LENGTH B.P.	118.60 m
BREADTH MLD.	16.50 m
DEPTH MLD.	5.50 m
DRAFT AT SEA	4.20 m
DEADWEIGHT AT DRAFT 4.2m(at sea)	5000 t
DRAFT 3.6m (in river)	3760 t
CONTAINERS CAPACITY (HOLD/DECK)	240(160/80)TEU
MAIN ENGINE POWER	2x1600HP
SPEED	11.0 kn
CCS CLASS	

BUILDER	**** SHIPYARD	HULL NO.	***
OWNER	*****	CLASS	CCS
TITLE	5,000DWT MULTI-PURPOSE VESSEL		
DESIGNED	DNV		
CHECKED	JH0751-00-02		
APPROVED	A		
GENERAL ARRANGEMENT			
CONTRACT DESIGN			
SCALE	1:200	WEIGHT	1/1
DATE			

SHANGHAI BESTWAY MARINE ENGINEERING DESIGN CO.,LTD
 111 Cao Bao Road Shanghai, CHINA P.C:200023
 Tel:86-21-5436 5500 Fax:86-21-5448 7783
 Email: luckway@mail.cnhris.sh.cn